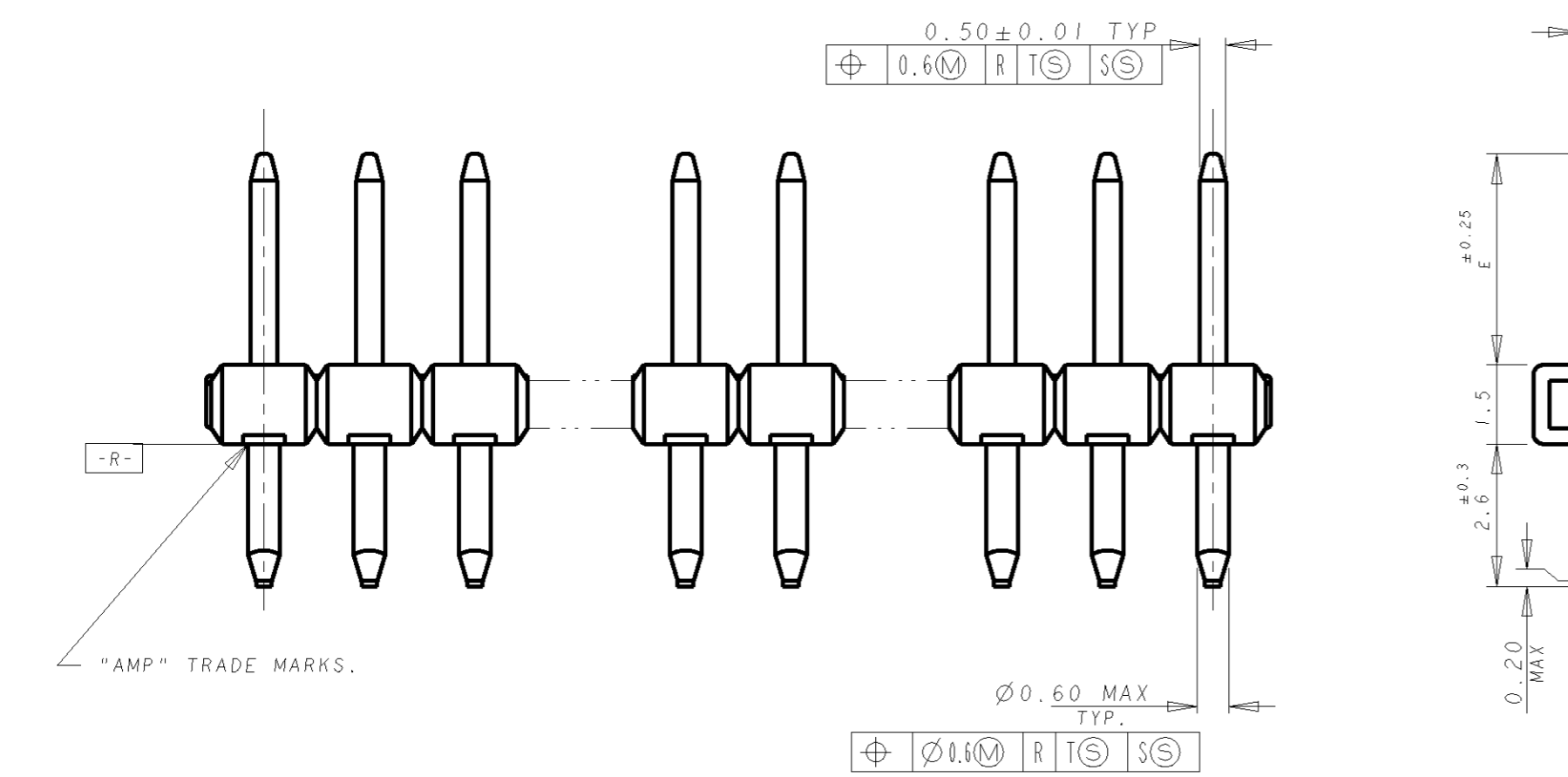
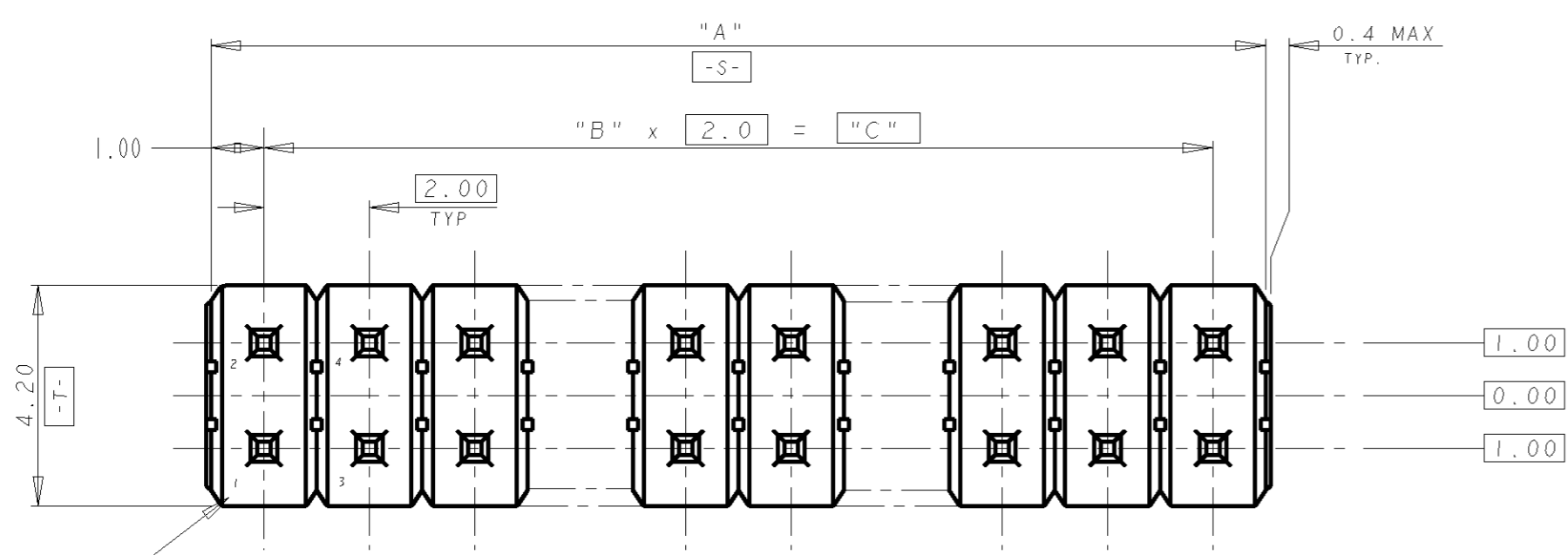
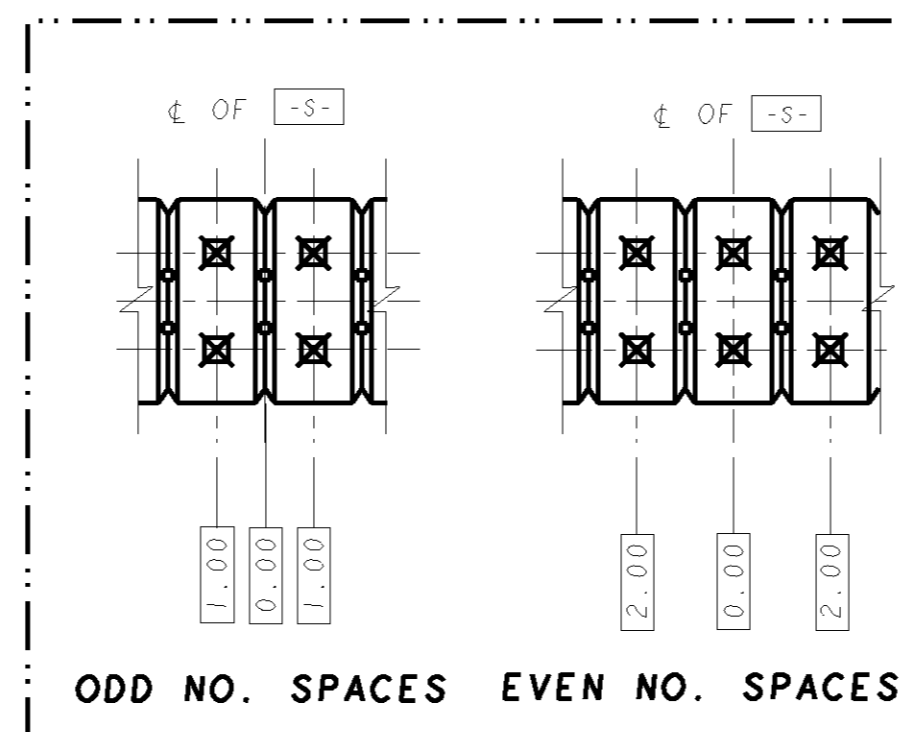
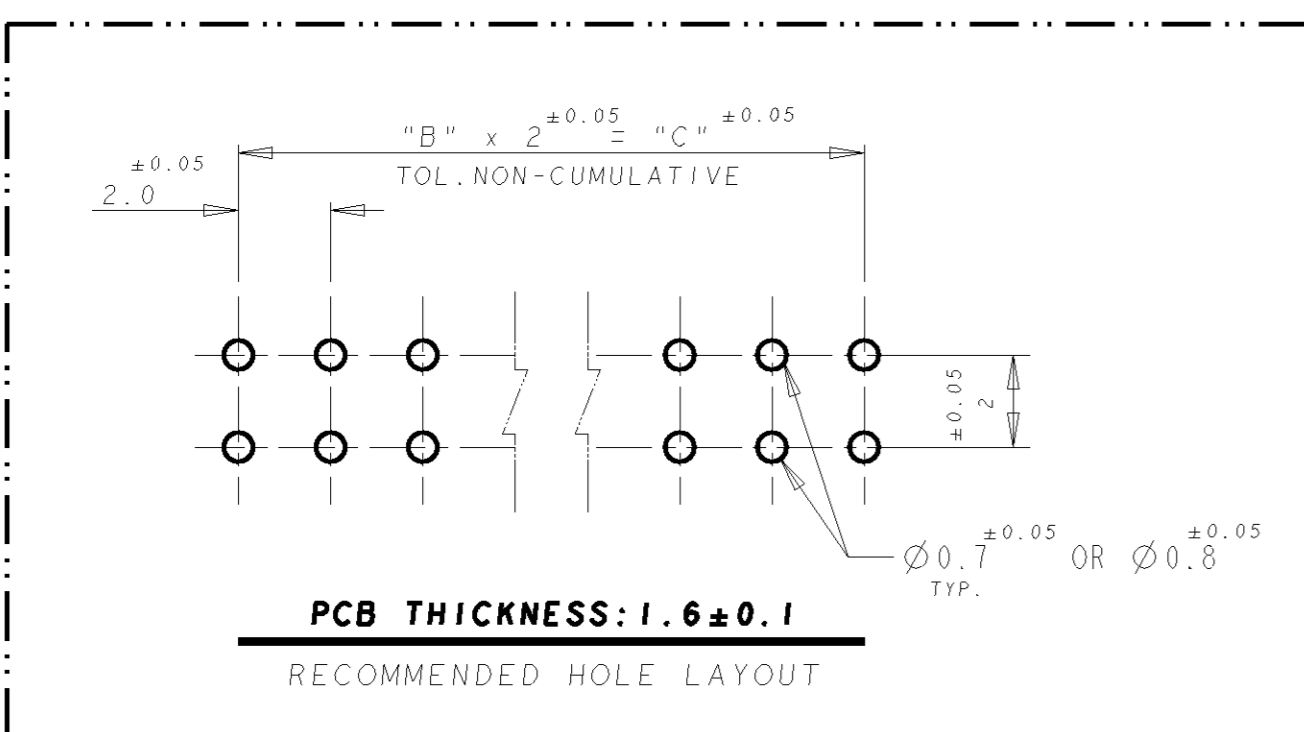


NUMBER 176264
 METRIC
 3rd ANGLE PROJECTION
 CONFIDENTIAL INFORMATION
 DIMENSIONS IN MILLIMETERS - DO NOT SCALE PRINT
 PRINT DIST
 AMP-J REV. 10/83



△ FINISH CONTACT AREA, "D" MIN Au
 ON NICKEL 0.0013 MIN ALL OVER
 POST TIME: 0.002 MIN MATTE TIN

NOTES;
 1 MATERIAL HOUSING: THERMOPLASTIC, UL 94V-0.
 POST : BRASS
 2 FINISH CONTACT AREA, "D" MIN Au
 ON NICKEL 0.0013 MIN ALL OVER
 POST TIME: 0.002 MIN TIN-LEAD
 3 POST POSITION NUMBERS FOR REFERENCE ONLY.



ODD NO. SPACES EVEN NO. SPACES

4	OBSOLETE	NIL	4.00	0.0002	4	2	6	6	5-	-8
		17	4.00	0.00076	24	12	26	26	5-	-7
		9, 10	5.00	0.00076	24	12	26	26	5-	-6
		1, 14		0.00076	14	7	16	16	5-	-5
		1, 12		0.00076	10	5	12	12	5-	-4
		NIL		0.00076	-	-	2	2	5-	-3
		25		0.00076	48	24	50	50	5-	-2
		25		0.0002	48	24	50	50	5-	-1
	OBSOLETE	2, 19		0.00076	18	9	20	20	5-	-0
		NIL		0.0002	-	-	2	2	4-	-9
					48	24	50	50	4-	-8
					46	23	48	48	4-	-7
					44	22	46	46	4-	-6
					42	21	44	44	4-	-5
	OBSOLETE				40	20	42	42	4-	-4
					38	19	40	40	4-	-3
					36	18	38	38	4-	-2
					34	17	36	36	4-	-1
	OBSOLETE			0.00076	32	16	34	34	4-	-0
					48	24	50	50	3-	-9
	OBSOLETE				46	23	48	48	3-	-8
					44	22	46	46	3-	-7
	OBSOLETE				42	21	44	44	3-	-6
					40	20	42	42	3-	-5
	OBSOLETE				38	19	40	40	3-	-4
					36	18	38	38	3-	-3
					34	17	36	36	3-	-2
	OBSOLETE			0.0002	32	16	34	34	3-	-1
					30	15	32	32	3-	-0
	OBSOLETE				28	14	30	30	2-	-9
					26	13	28	28	2-	-8
	OBSOLETE				24	12	26	26	2-	-7
					22	11	24	24	2-	-6
					20	10	22	22	2-	-5
					18	9	20	20	2-	-4
					16	8	18	18	2-	-3
					14	7	16	16	2-	-2
					12	6	14	14	2-	-1
					10	5	12	12	2-	-0
					8	4	10	10	1-	-9
					6	3	8	8	1-	-8
					4	2	6	6	1-	-7
					2	1	4	4	1-	-6
				0.00076	30	15	32	32	1-	-5
					28	14	30	30	1-	-4
					26	13	28	28	1-	-3
	OBSOLETE				24	12	26	26	1-	-2
					22	11	24	24	1-	-1
					20	10	22	22	1-	-0
					18	9	20	20		-9
					16	8	18	18		-8
					14	7	16	16		-7
					12	6	14	14		-6
					10	5	12	12		-5
					8	4	10	10		-4
					6	3	8	8		-3
					4	2	6	6		-2
					2	1	4	4		-1
										176264-1

FINISH STATUS P/N OMITTED "E" "D" "C" "B" "A" POS P/N
 © 1989 BY AMP MANUFACTURING (SINGAPORE) PTE. LTD.

M	REVISED ECR-06-22722	YKW	LSF	25SEP06						
L	REVISED FP00-0275-03	LWY	CWL	10DEC03						
K	REVISED FP00-0055-99	LWY	LSC	31MAY00						
J	REVISED FP00-0004-98	LWY	CL	7JAN98	WIRE RANGE	INSULATION DIA	NAME			
H	REVISED FP00-0163-96	LWY	TWM	9JUL96	mm ² (AWG)	mm ϕ	AMPMODU 2MM PITCH POST HDR, VERTICAL MOUNT TYPE.			
G	REVISED FP00-0215-95	LWY	TAP	2AUG95	MATERIAL	FINISH	GENERAL TOLERANCE	SIZE	LOC	NUMBER
F	REVISED FP00-0191-95	LWK	TAP	11JUL95	SEE NOTE	SEE TABLE	0< 10 : ±0.2	A2	DY	176264
E2	REVISED FP00-0045-95	LWY	CWK	27FEB95	DR. 9-JUL-89	DE. 6-JUL-89	10< 30 : ±0.25	SCALE	REV.	SHEET
LTR	REVISION RECORD	DR	CHK	DATE	DR. 6-JUL-89	APP. 1. ENOMOTO	30< 100 : ±0.3	8-1	M	1 OF 1
					CHK. 6-JUL-89	S. MANABE	ANGLES : ±3°			

CUSTOMER DRAWING